


comac
professional people

C130



**A powerful scrubbing system combined
with effective sweeping action**



comac

**Scrubs and sweeps at the same time
for superb performance in a single passage:
a single machine for deep cleaning and to collect small debris**

The C130 is a powerful scrubbing machine, designed for cleaning large spaces in environments such as airports, railway stations, car parks, logistics centers and warehouses, as well as in industrial facilities and shopping centers.

The functional design of the structure and its sturdy materials ensure reliability over time. All of the power of the C130 is concentrated in a 7" full-colour touch screen display, making it easy and intuitive to use.

comac



C130





Details that increase your work productivity

PERFORMANCE



PERFECT DRYING

The dual vacuum motor ensures perfect drying in a single passage, with no marks or residue. The cleaning result is perfectly uniform thanks to the splashguards positioned along the sides of the machine, which ensure that the water is always dispensed internally in the v-shape of the squeegee and is then channelled towards the center, facilitating the vacuuming process.



SCRUBBING-SWEEPING POWER

The brush head is equipped with 4 disc brushes, offering superb performance in all situations.

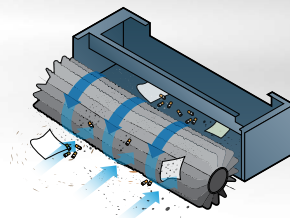
The cylindrical central brush is self-adjusting and as such, it remains in constant contact with the floor regardless of the type of surface or degree of bristle wear. It collects small solid debris, into a debris hopper.



AUTONOMY

Large tanks enable operators to work for long periods, reducing stops and downtime.

The battery-powered version can operate for up to 5 hours without stopping.



UP TO 180 KG OF PRESSURE

When faced with heavy duty cleaning operations on stubborn dirt, the disc brush pressure can be increased to up to 180 kg


QUIETNESS

Simply press a button to work quietly in sensitive environments without causing a disturbance


PLUS PROGRAM

The PLUS program configuration simultaneously increases the flow of detergent solution and the pressure on the brush, making it more effective at removing particularly stubborn dirt.


MOTORWHEEL

The powerful antiskid and non-marking motorwheel ensures optimal adherence on any type of flooring and excellent manoeuvrability in congested spaces.



WORKING WIDTH
1300 mm


MOVING SCRUBBING BRUSH HEAD

Even higher performance levels are guaranteed by the brush head that extends out to the right to reach the dirt that settles up against walls or underneath shelving.

Controlling the power of the C130 is easy with the touch screen display

COMFORT



Using the C130 is simple, intuitive and practical. The working program selector enables the operator to manually select the type of activity to be carried out: scrubbing and drying, scrubbing and drying with the moving brush head, scrubbing only, or drying only.

Once the type of work has been selected, the desired cleaning program is activated via the touch screen display: ECO, STANDARD and PLUS.

Each program uses a certain amount of water, detergent and pressure so you can choose the right one for the specific cleaning conditions. In this way, you can avoid waste and save water, reduce consumption when possible, and increase the cleaning power where necessary.

The supervisor can access the ECO, STANDARD and PLUS programs using a password, and can change the parameters to suit the specific requirements.


ECO PROGRAM


This program is ideal when performing primarily maintenance cleaning, that does not require any particular scrubbing effort.


STANDARD PROGRAM


The program is recommended for regular cleaning operations on moderately dirty surfaces


PLUS PROGRAM


This program is useful when increased scrubbing power is required on resistant, stubborn dirt since it increases the flow of detergent solution and pressure on the brushes to the maximum.


COMFORTABLE TO DRIVE

The ergonomic seat ensures adequate back support, enabling operators to work more hours without fatigue. The driving position is designed to offer maximum comfort, with a seat with armrests and steering wheel that are both adjustable, and easy-to-reach controls.

The forward/reverse lever enables the operator to choose from any one of three pre-set speeds.

The touch screen display is clear and easy to read, even when outside in direct sunlight.


TOUCH SCREEN DISPLAY

Intuitive


LOG-IN WITH PASSWORD

Keeps your investment safe


WORKING PROGRAM SELECTOR

Easy to use


ECO

Designed to respect the environment


STANDARD

For regular cleaning


PLUS

To increase scrubbing power



A sturdy design, made to withstand everything

RELIABILITY

The wrap-around lines of the C130 are part of a structure designed specifically to protect all of the components within, leaving no element uncovered or exposed to accidental damage. The tanks are made from high density polyethylene, a solid, strong material for guaranteed reliability over time.

The large bumpers help to emphasize the imposing features of the machine, highlighting the robustness of the structure.



SIDE BUMPER ROLLERS

These protect the machine and the surrounding environment during delicate manoeuvres, for example when cleaning along walls and shelving.



BRUSH MOTOR PROTECTION

The brush motors are equipped with a control device which automatically regulates pressure, according to the type of floor being cleaned. When operating on very rough floors that cause greater friction, the pressure exerted on the floor is adjusted to protect the motors.



None of the components are exposed, indeed even the tank drain tubes (solution and recovery) and vacuum tubes are housed in protected areas.

SAFETY

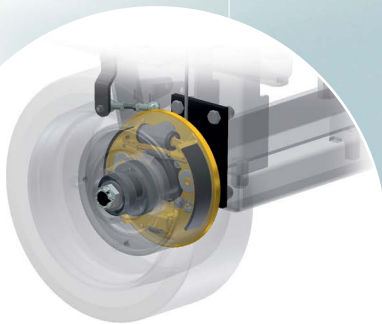
The C130 is equipped with a host of solutions to ensure the safety of the operator and the environment in which he or she is working.



SEAT BELTS



Once the working configuration has been selected, the operator can concentrate on driving, keeping his or her eyes in the direction the machine is travelling or manoeuvring, without getting distracted.



HYDRAULIC DRUM BRAKES

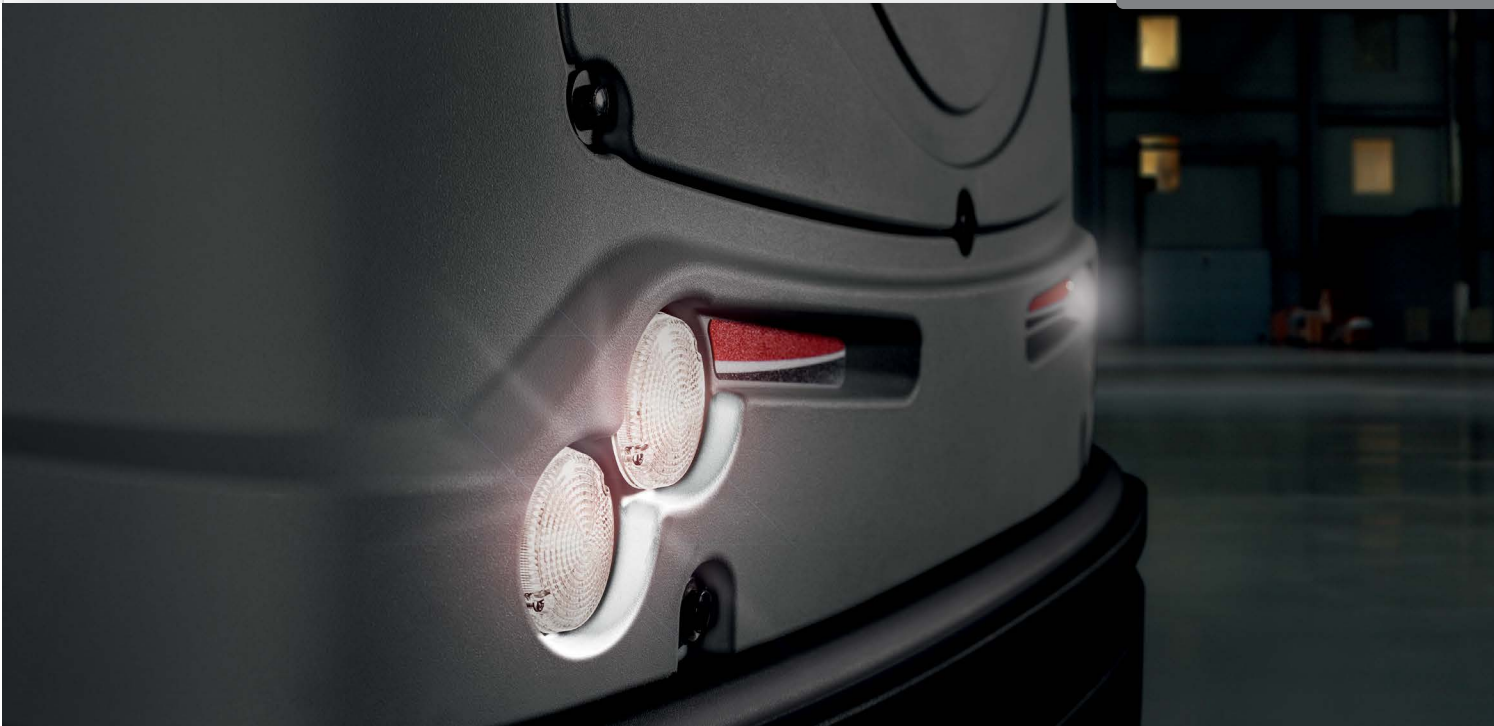
These drum brakes ensure optimal braking action in all working conditions



DESIGN

The driver's seat is completely encircled by the machine body, in order to protect the operator.

The machine can also be equipped with an overhead guard, to increase safety when operating in warehouse areas



FRONT AND REAR LED HEADLIGHTS

These headlights ensure maximum safety in all working conditions. The front headlights illuminate areas that are shaded or in semi-darkness and help alert those in the vicinity to the moving machine (position and driving lights)



The rear headlights incorporate position, reverse and brake lights.



EMERGENCY STOP



In an emergency, simply press a single button to immediately halt forward movement and all other functions.



BUZZER AND BLINKING LIGHT



The blinking light switches on when the machine is started. The buzzer provides an acoustic warning that the machine is in motion: it is automatically activated when the reverse gear is engaged, but can also be activated manually when moving forward.



Easy maintenance, guaranteed performance

MAINTENANCE

Maintaining the efficiency of the C130 is now easier through a number of small devices that assist the operator with maintenance activities.

A convenient footboard at the rear of the machine facilitates inspection of the tanks and the filtering systems:

The panel filter serves to filter dust and protects the vacuum motors from detergent foam; the basket filter catches any debris, preventing this from settling on the bottom of the recovery tank.



Basket filter

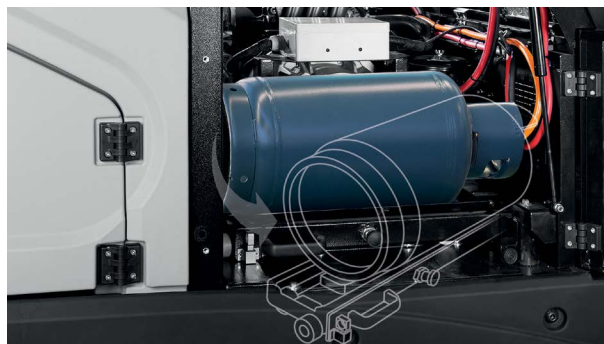


BATTERIES WITH AUTOMATIC REFILL FUNCTION

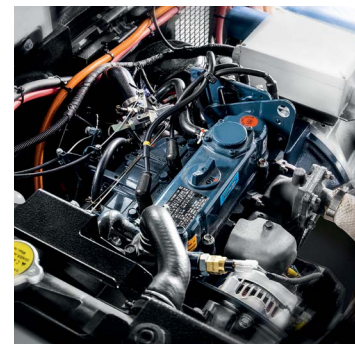
A single circuit connects all of the elements, enabling the fill level to be adjusted from a single point. Battery top-up is therefore much faster, because downtime is eliminated, and is safer, since the electrolyte leakage from the batteries is prevented (available upon request).



A simple device allows the quick filling of the tank with clean water without the presence of the operator



The engine area is easily accessible. In the bi-fuel version, a specific compartment has been created to house the LPG cylinder. The cylinder can be removed via a convenient stand that rotates towards the outside.



The C130, a nod to the environment



ENVIRONMENT



The C130 uses technologies that help save resources. Indeed, when running cleaning operations in ECO mode, the supply of water, detergent and pressure is reduced to a minimum.

The ECO feature helps conserve water, detergent and energy, using only the amounts required, and nothing more.



STOP&GO

When the machine is temporarily idle, the solution flow stops, the brushes are halted and the brush head is automatically lifted off the floor, with no need for operator intervention. This serves to optimize consumption and reduce waste.

Pressing the forward movement pedal restores the active functions.



CDS - COMAC DOSING SYSTEM

CDS is the dosing system for managing water and detergent separately. It enables the operator to increase or reduce their flow according to the type of dirt, thus avoiding waste.

The Comac Dosing System reduces cleaning solution consumption by up to 50%.





Entering the world of CFC increases control over your fleet whilst improving productivity!

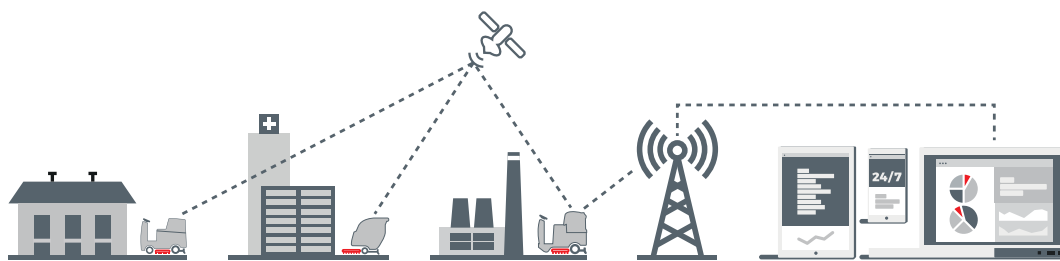
COMAC FLEET CARE



Comac Fleet Care is the new service that enables all those who manage a fleet of machines deployed on different sites to monitor everything that happens to the machines, as if they were there in person. CFC collects the data transmitted from the machines and converts this into information that is used to improve coordination, optimize performance and increase fleet efficiency, while maintaining benefits over time. This service provides a complete and up-to-date overview of the status of each machine, which can

be viewed online, any time, on any device - tablet, smartphone or computer. Fleet managers can check that their machines are being used properly in the places and times specified, and where an issue occurs, the fleet manager is immediately notified so that the situation can be promptly rectified.

The CFC system helps to optimize machine use, increasing productivity by avoiding wasted time and preventing unforeseen events from occurring whenever possible.



Keep tabs on your machine remotely when you want and from wherever you want!



GEOLOCALISATION

You'll always know where your machine is



USAGE INFORMATION

You'll always know who's using your machine and how



MAINTENANCE

You'll always know the state of health of your machine



TELEMETRY

You'll always be able to check if your machine is working at peak efficiency



Choose your version

THE RANGE

**3 TYPES OF ENGINES ARE AVAILABLE:
BATTERY-POWERED, DIESEL OR BI-FUEL**



C130

Battery

For zero-emissions operations,
even inside, for up to 5 hours



C130

Diesel

For unlimited autonomy

Bi-Fuel



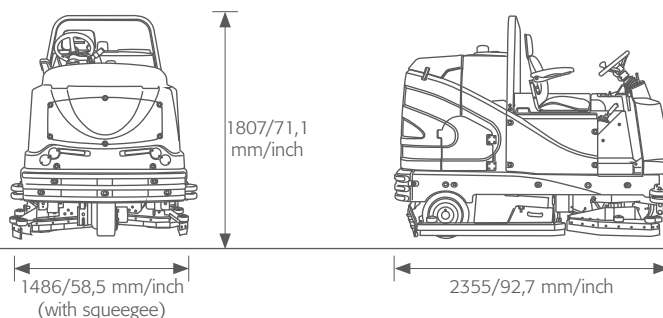
C130
Gasoline-LPG

Dual power for extended
autonomy and reduced
environmental impact

EQUIPMENT

COMFORT	C130 BS	C130 Diesel	C130 Bi-Fuel
7" full-colour touch screen display	•	•	•
- ECO, STANDARD and PLUS programs	•	•	•
- Password log-in and custom programming	•	•	•
Working program selector	•	•	•
General alarm indicator light	•	•	•
Braking system oil level indicator light	•	•	•
Parking brake indicator light	•	•	•
Dead starter battery indicator light	-	•	•
Position lights indicator light	•	•	•
Driving lights indicator light	•	•	•
Moving brush head indicator light	•	•	•
Solution tank float indicator light	•	•	•
Recovery tank float indicator light	•	•	•
Empty detergent canister indicator light	•	•	•
CFC (Comac Fleet Care) indicator light	•	•	•
Maintenance due indicator light	•	•	•
Clogged endothermic engine filter indicator light	-	•	•
Excess temperature of endothermic engine coolant indicator light	-	•	•
Reduced oil pressure in endothermic engine indicator light	-	•	•
Endothermic engine low fuel level indicator light	-	•	•
Diesel engine glow plugs indicator light	-	•	-
LPG fuel active indicator light	-	-	•
Forward and reverse command	•	•	•
Speed adjustment (3 pre-set positions)	•	•	•
Hour meter	•	•	•
Power steering	optional	optional	optional
Steering wheel adjustment	•	•	•
Adjustable seat with armrests	•	•	•
Quick-refill device for water	optional	optional	optional
Rear footboard for easy access to filters	•	•	•
PRODUCTIVITY			
Scrubbing-sweeping brush head	•	•	•
Brush head with right-hand movement	•	•	•
Self-adjusting central cylindrical brush	•	•	•
Debris hopper for small solid debris	•	•	•
Reusable squeegee rubber blades on all 4 sides	•	•	•
2 vacuum motors, 36 V	•	•	•
Antiskid and non-marking front motorwheel	•	•	•
CFC (Comac Fleet Care)	optional	optional	optional
SAFETY			
LED front headlights with position lights and driving lights	•	•	•
LED rear headlights with position, stop and reverse lights	•	•	•
Blinking light	•	•	•
Reversing buzzer	•	•	•
Horn	•	•	•
Dead man's switch	•	•	•
Emergency stop	•	•	•
Antiskid and non-marking rear wheels	•	•	•
Rear hydraulic drum brakes	•	•	•
Mechanical parking brake	•	•	•
Hydraulic service brake	•	•	•
Roll Bar	•	•	•
Overhead guard	optional	optional	optional
Bumper wheels	•	•	•
Seat belts	optional	optional	optional
ENVIRONMENT			
CDS (Comac Dosing System)	optional	optional	optional
Stop&Go	•	•	•

Dimensions and technical data



TECHNICAL DATA		C130 BS	C130 Diesel	C130 Bi-Fuel
Disc brushes Ø	(n.) mm/inch	(4) 345/13,6	(4) 345/13,6	(4) 345/13,6
Cylindrical brush Ø	(n.) mm/inch	(1) 300/11,8x1106/43,5	(1) 300/11,8x1106/43,5	(1) 300/11,8x1106/43,5
Lateral movement of scrubbing brush head	mm/inch	100/3,9	100/3,9	100/3,9
Debris hopper capacity	l/gal	40/10,5	40/10,5	40/10,5
Disc brush motors	(n.) V/W	(2) 36/1125	(2) 36/1125	(2) 36/1125
Cylindrical brush motor	(n.) V/W	(1) 36/750	(1) 36/750	(1) 36/750
Vacuum motors	(n.) V/W	(2) 36/650	(2) 36/650	(2) 36/650
Traction motor	V/W	36/3000	36/3000	36/3000
Disc brush rotations	rpm	220	220	220
Cylindrical brush rotations	rpm	580	580	580
Suction vacuum	mbar	2100	2100	2100
Acoustic level (ISO 11201)	dB (A)	<70	<70	<70
Endothermic engine	cylinders	-	3	3
Displacement	cm ³ /ft ³	-	1261/0,04	962/0,03
Motor power	kW/Hp	-	21.7/29.1	24.2/32.5
Diesel/gasoline tank capacity	l/gal	-	23/6	23/6
Cooling	-	-	liquid	liquid
Forward speed	km/h	0÷6	0÷6	0÷6
Maximum possible gradient (transfer when empty)	%	10	10	10
Batteries	V/Ah C5	36/640-720	-	-
Battery weight	kg/lbs	780/810-1719,6/1785,7	-	-
Battery compartment dimensions (L x h x w)	mm	625x450x1065/24,6x17,7x42	625x450x1065/24,6x17,7x42	625x450x1065/24,6x17,7x42
Detergent tank capacity (versions with CDS)	l/gal	10/2,6	10/2,6	10/2,6

	Working width mm/inch	Brush pressure Kg/lbs	Power supply V/ traction	Solution tank l/gal	Recovery tank l/gal	Working capacity up to sq.m/h ft ² /h	Machine dimensions mm/inch L x h x w	Machine weight kg/lbs when empty (without batteries)
C130 BS	1300/51,2	130+180/286,6+396,8	36/aut.	300/79,2	360/95	7800/83.958	2355/92,7 1807/71,1 1486/58,5	840/1851,8
C130 Diesel	1300/51,2	130+180/286,6+396,8	36/aut.	300/79,2	360/95	7800/83.958	2355/92,7 1807/71,1 1486/58,5	1100/2425
C130 Bi-Fuel	1300/51,2	130+180/286,6+396,8	36/aut.	300/79,2	360/95	7800/83.958	2355/92,7 1807/71,1 1486/58,5	1100/2425

